

Intelli-M® Access

Product Features

- Browser based client – Eliminates client software installation and supports any number of concurrent users. Manage software from any device with browser support
- Basic Access Control features – easy to use with intuitive web GUI. Lock/unlock doors on schedule; Momentarily unlock a door from the software; Assign people to one or more groups; Manage access to doors by groups of people using a schedule
- Lock all doors via a single click – quickly manage emergency situations. Allows user to manage all doors – lock and revert to schedule - using a single click
- Import Utility for cardholders and badges – facilitates database creation and update. Allows import from Supervisor Plus systems as well as bulk import from .CSV and .XML files
- Automatic Device discovery – minimizes setup time. Identifies eIDC controllers available on the network
- Door Templates – simplifies setup of system. The most common door configurations are available from a drop down list
- Badging and reports – Design badges and reports using MS SQL Server reporting services, display and print them directly from Intelli-M Access.
- E-mail notification of alarms – provides remote notification. Allows for selected users to receive alarms via email

Licensing

The basic software license supports up to 32 doors. Additional Door licenses may be purchased in 32 door increments.

Recommended Server Requirements

CPU Dual core 2GHz
Memory 2GB
Hard Drive 40 GB

Intelli-M Access

Doors 500*
O/S Microsoft Server 2008, Server 2003, Vista, XP

Supervisor Plus

Doors 300*
O/S Microsoft Windows XP

* Consult with infinias to design larger systems

Supervisor Plus®

Product Features

- Video Integration – users can simultaneously associate video with security events and alarms. Dual screen GUI provides fast video retrieval, flexible recording schedules, side-by-side card pop-up and live video playback for quick personnel verification, and multiple camera views on a single monitor.
- Photo ID Badging – fully integrated module with drag-and-drop capability offers an easy and professional design utility
- Programming Services – simplify access control programming. A service is defined as a series of inputs, outputs or triggers that interact with each other to perform a specific event. Services are broken into groups: Access – for door control; Alarm – to provide relationship between inputs and outputs, allows you to associate one or more cameras for recording; Arming – for external arming such as control of alarm panel; and Equipment – for generic control applications such as lighting.
- Anti-Passback – maximizes security by implementing access rules that require both Entry and Exit readers for each door. Rules for “soft” (notify but allow access) and “hard” (do not grant access) are supported; these rules when implemented with turnstiles can eliminate “tailgating”.
- Multiple Workstations – base license now includes support for 5 current users
- Mapping – allows the user to monitor and control the system graphically via a floor plan or map. Status icons located on the map in the actual position are used to represent the service. The icons change to reflect the real-time status of the service.



Contact Us
317.348.1086
Toll Free: 866.496.5783
sales@infinias.com

Intelli-M® Hardware and Software Specifications

Intelli-M® eIDC

ETHERNET-ENABLED

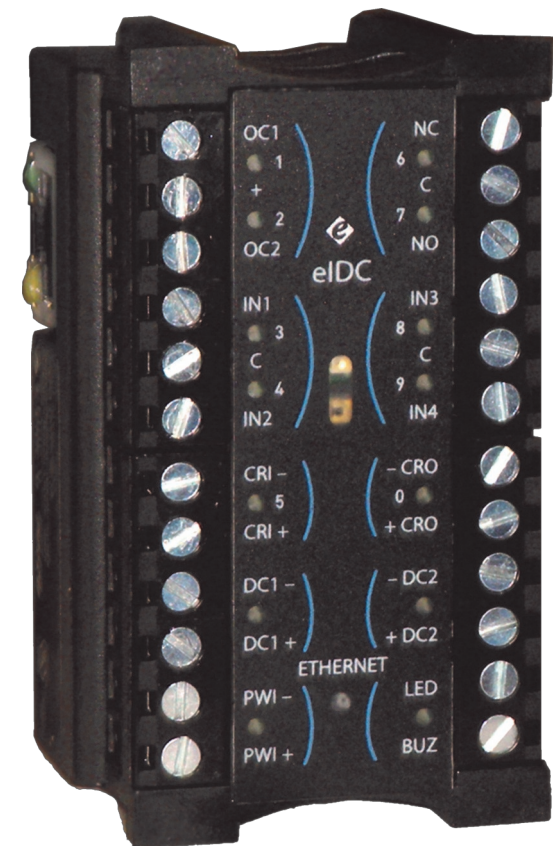
INTEGRATED DOOR CONTROLLER

Product Features

- PoE (Power over Ethernet) carries both data and power for the controller and peripheral door hardware
- Peer-to-Peer Communication keeps data flowing even if a server connection is interrupted
- 100% Distributed Intelligence
- Small Form Factor makes installation in tight spaces easy
- 3-State Alarm Monitoring for Normally Open, Normally Closed, and Trouble (either cut or short)
- Anti-Passback
- 16,000 Local Event Buffering
- 2 Reader Ports support proximity readers with or without keypads, or any logic device (such as an Egress Button or REX Device) that provides a combination of control of both entrance and exit for a single door
- Supports DHCP and Static IP addresses
- AES (Advanced Encryption Standard) 128-bit Encryption
- Embedded Web Server provides complete control of the device without the need for a server for stand-alone doors
- Integrated, Non-mechanical, Infrared Tamper Sensor for high reliability and precision
- Built-in Warning Buzzer provides a local alarm without requiring an external alarm device

The Intelli-M® eIDC Ethernet-enabled integrated door controller is among the first PoE access control system controllers and provides fully distributed intelligence for access control and alarm monitoring. This cutting-edge Ethernet-enabled door controller is packed with powerful features that can fit in a small, compact 2-gang box to control all peripheral door hardware.

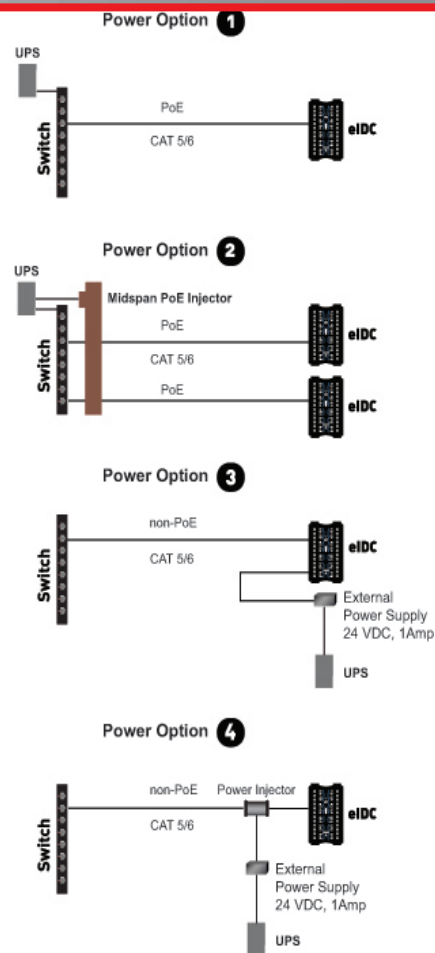
Easy to install and program, the Intelli-M eIDC controller operates autonomously with true peer-to-peer communication, independent of a network or PC workstation and is designed to minimize the impact of any component failure. Connections to peripheral equipment can be verified on the spot using built-in line status indicators. The Intelli-M eIDC controller can operate independently with its embedded Web server or with hundreds Intelli-M eIDC controllers through the server-based Intelli-M® Access security management software.



Power Options

- Using PoE, run directly from switch to eIDC.
- Use a midspan injector to add power to all switch ports and run PoE from the midspan to the eIDC.
- Using non-PoE, run directly from switch to eIDC and inject power at the installation site through the external power supply ports on the eIDC.
- Using non-PoE, run from switch to PCON, use PCON for power injection, and then to eIDC.

Caution: For options 1, 2, and 4, do not add an additional power supply to terminals PWI+ or PWI- on the eIDC.



Controller Capacity

Reader	2
Doors	1
Cards	2,000 in Web Mode* 5,000 with Supervisor Plus* 30,000 with Intelli-M Access*

History	16,000 transactions (web mode)
Schedules	240
Holidays	48

General

Power	Direct from PoE switch external power supply (24 VDC, 1 A)
-------	--

Communication	Ethernet, 10Base-T
Max Distance	100 m (328 ft)
Switch	Cat5, Cat5e, Cat6

Readers

Power	12 VDC at 250 mA per reader*
Types	Wiegand format
Wire	6 Conductor, 500 ft

Inputs

1-4	Configurable inputs, contact closure or transistor-transistor logic (TTL), with optional end of line resistor (EOLR) supervision
Tamper Wire	integrated infrared tamper 2 conductor, 2,000 ft

Outputs

1 & 2	Open collector outputs with electronic overload protection (max 450 mA at 12 VDC)*
3	Form C, SPDT relay output with configurable initial state (max 5 A at 30 VDC)
4	Built-in warning buzzer or alarm tone generator (max 80 dB)
Reader	LED output Buzzer output
Wire	2 conductor, 2,000 ft

Physical

Dimensions	1.30" D x 1.70" W x 2.82" H (3.30 x 4.32 x 7.16 cm)
Quick Mount Assembly Kit Enclosure	2.84" D x 4.30" W x 4.30" H (7.20 x 10.90 x 10.90 cm)

Plaster Ring	0.48" D x 4.75" W x 4.75" H (1.20 x 12.10 x 12.10 cm)
Cover Plate	0.48" D x 4.75" W x 4.75" H (1.20 x 12.10 x 12.10 cm)
Unit Weight	3.7 oz (105 g)
Ship Weight	1.0 lb (0.45 kg) approximate

Environmental

Operating Temp	32° to 120°F (0° to 49°C)
Storage Temp	-40° to 150°F (-40° to 66°C)
Humidity	0% to 85% relative, noncondensing

Certifications

- CE, Class A
- FCC part 15, Class A
- UL 294 Listed, Security Mark

Notes:

- The maximum total of all output power from the eIDC is 750 mA.
- The maximum output to either reader is 250 mA.
- The maximum output from the combined open collectors is whichever of the following is less: 450 mA or 750 mA less the sum of the readers.
- Consult an infinias Support Engineer for installations over these amounts

